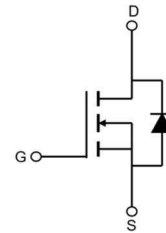


Features

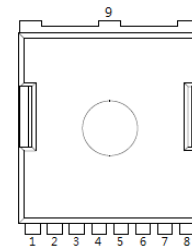
- 100V,360A
 $R_{DS(ON)} < 1.5m\Omega @ V_{GS}=10V$ TYP:1.25m Ω
 $R_{DS(ON)} < 2.0m\Omega @ V_{GS}=6V$ TYP:1.6m Ω
- Fast Switching
- Low On-Resistance
- Low Gate Charge
- Low Reverse transfer capacitances
- High avalanche ruggedness
- RoHS product

Applications

- BMS
- High current switching applications



Schematic Diagram



TOLL-8L

1	Gate(G)
2,3,4,5,6,7,8	Source(S)
9	Drain(D)

Package Marking and Ordering Information

Device Marking	Device	Device Package	Reel Size	Tape width	Quantity (PCS)
G015N10T	APG015N10T	TOLL-8L	-	-	2000

ABSOLUTE MAXIMUM RATINGS (T_J=25°C unless otherwise noted)

Parameter	Symbol	Value	Unit
Drain-Source Voltage	V _{DS}	100	V
Gate-Source Voltage	V _{GS}	±20	V
Continuous Drain Current (Tc=25°C) ⁽¹⁾	I _D	360	A
Continuous Drain Current (Tc=100°C) ⁽¹⁾	I _D	254	A
Pulsed Drain Current ^(1,2)	I _{DM}	1440	A
Single Pulsed Avalanche Energy (Tc=25°C,L=0.5mH) ⁽¹⁾	E _{AS}	1806	mJ
Drain Power Dissipation ⁽¹⁾	P _D	500	W
Thermal Resistance from Junction to Case ⁽¹⁾	R _{θJC}	0.25	°C/W
Thermal Resistance- Junction to Ambient ⁽¹⁾	R _{θJA}	62.5	°C/W
Junction Temperature	T _J	150	°C
Storage Temperature	T _{STG}	-55~ +150	°C

Notes:

1 Surface Mounted on 1 in² pad area, t ≤ 10 sec

2 Pulse width ≤300μs, duty cycle ≤ 2%

3 Limited by bonding wire

MOSFET ELECTRICAL CHARACTERISTICS(T_J=25°C unless otherwise noted)

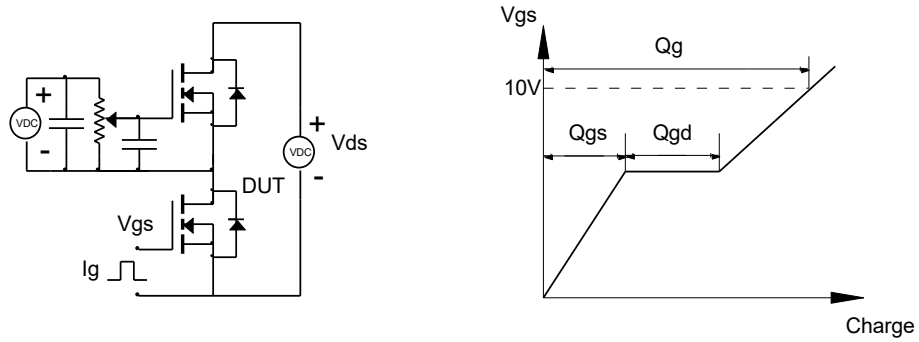
Parameter	Symbol	Test Condition	Min	Type	Max	Unit
Static Characteristics						
Drain-source breakdown voltage	V _{(BR)DSS}	V _{GS} = 0V, I _D =250μA	100	110	-	V
Zero gate voltage drain current	I _{DSS}	V _{DS} =80V, V _{GS} = 0V	-	-	1	μA
Gate-body leakage current	I _{GSS}	V _{GS} = ±20V, V _{DS} = 0V	-	-	±100	nA
Gate threshold voltage	V _{GS(th)}	V _{DS} =V _{GS} , I _D =250μA	2	3	4	V
Drain-source on-resistance ^(a)	R _{DS(on)}	V _{GS} =10V, I _D =50A		1.25	1.5	mΩ
		V _{GS} =6V, I _D =25A	-	1.6	2	mΩ
Dynamic characteristics^(b)						
Input Capacitance	C _{iss}	V _{DS} =50V, V _{GS} =0V, f =1.0MHz	-	14200	-	pF
Output Capacitance	C _{oss}		-	4000	-	
Reverse Transfer Capacitance	C _{rss}		-	935	-	
Switching characteristics^(b)						
Turn-on delay time	t _{d(on)}	V _{DD} =50V, R _G =1.6Ω, V _G =10V Resistive Load	-	45	-	nS
Turn-on rise time	t _r		-	51	-	
Turn-off delay time	t _{d(off)}		-	123	-	
Turn-off fall time	t _f		-	53	-	
Total Gate Charge	Q _g	V _{DS} =50V, I _D =50A, V _{GS} =10V	-	240	-	nC
Gate-Source Charge	Q _{gs}		-	64	-	
Gate-Drain Charge	Q _{gd}		-	64	-	
Source-Drain Diode characteristics						
Diode Forward voltage ^(a)	V _{SD}	T _J =25°C, V _{GS} =0V, I _S =50A	-	-	1.2	V
Diode Forward current	I _S	T _C =25°C	-	-	360	A
Body Diode Reverse Recovery Time	t _{rr}	T _J =25°C, I _F =50A, di/dt=100A/us		87		nS
Body Diode Reverse Recovery Charge	Q _{rr}	T _J =25°C, I _F =50A, di/dt=100A/us		220		nC

Notes:

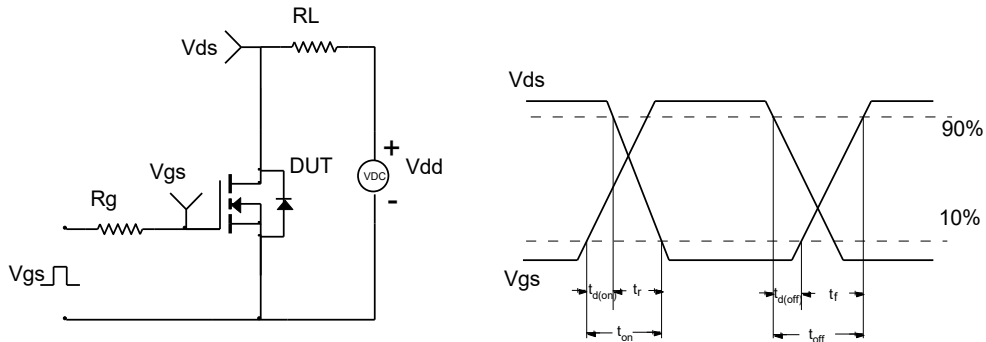
- a) Pulse width ≤ 300 μs, duty cycle ≤ 2%
- b) Guaranteed by design, not subject to production testing

Test Circuit

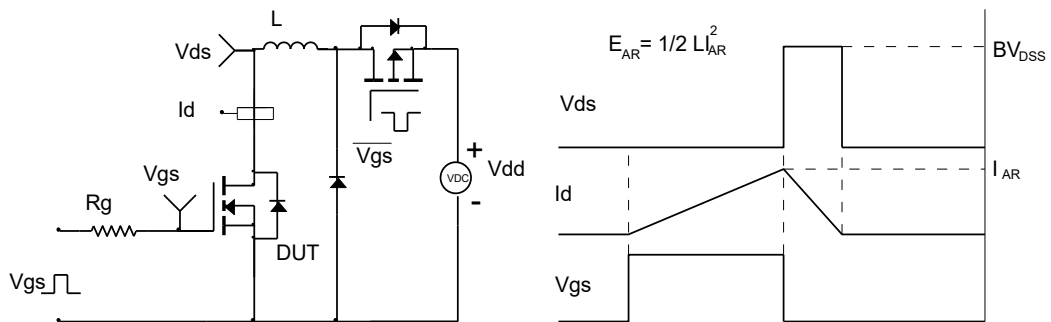
Gate Charge Test Circuit & Waveform



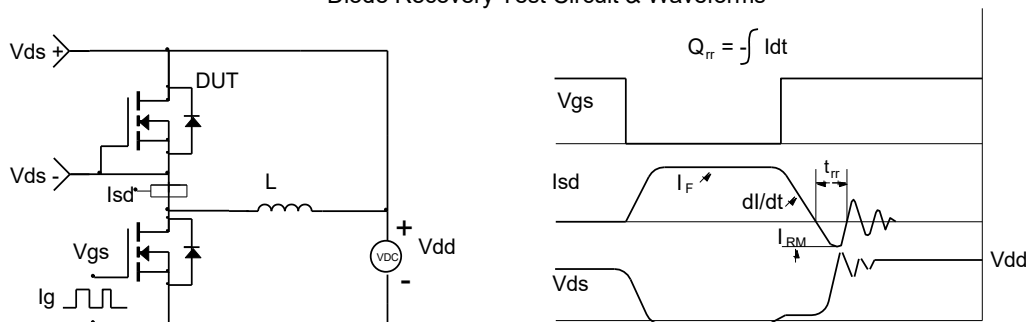
Resistive Switching Test Circuit & Waveforms



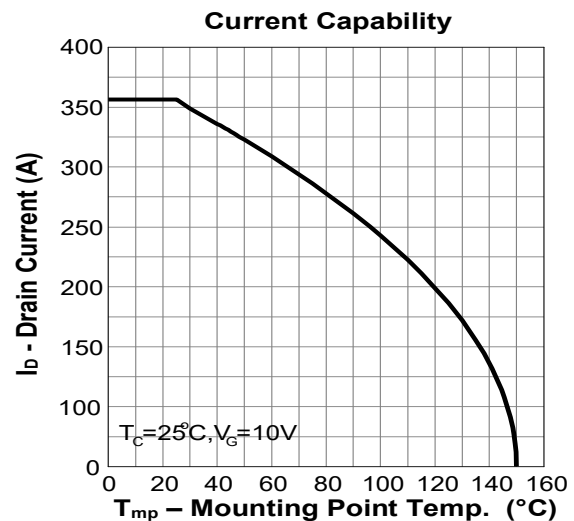
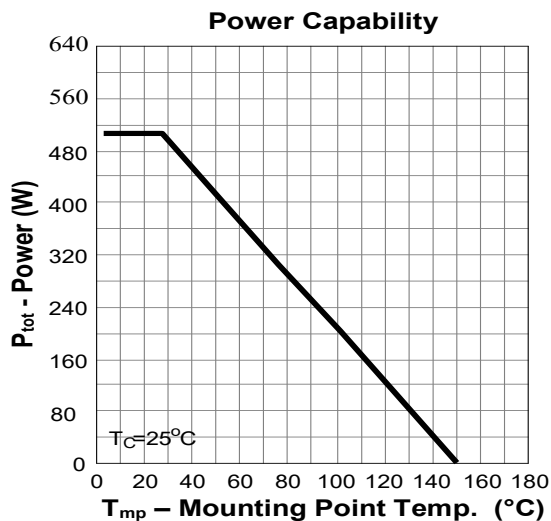
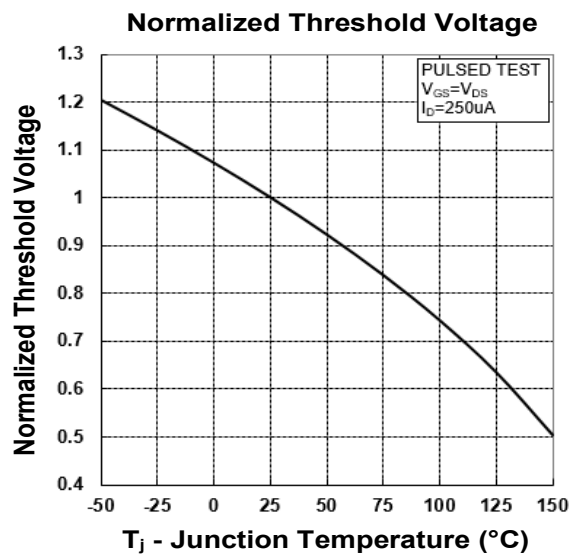
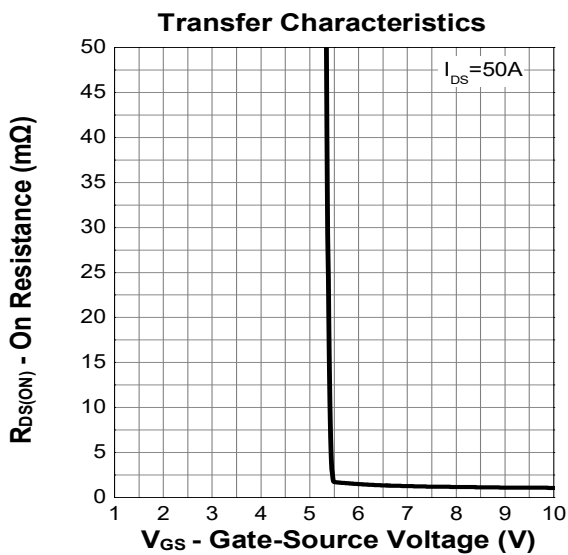
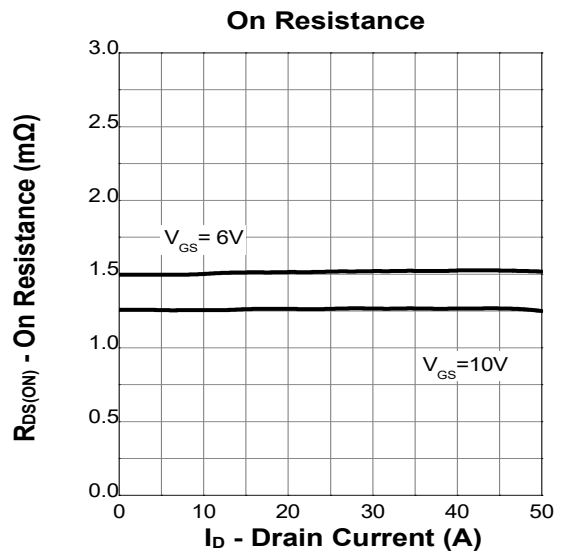
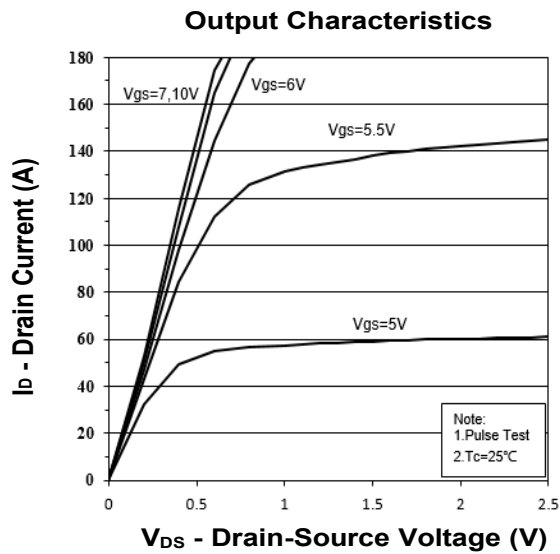
Unclamped Inductive Switching (UIS) Test Circuit & Waveforms



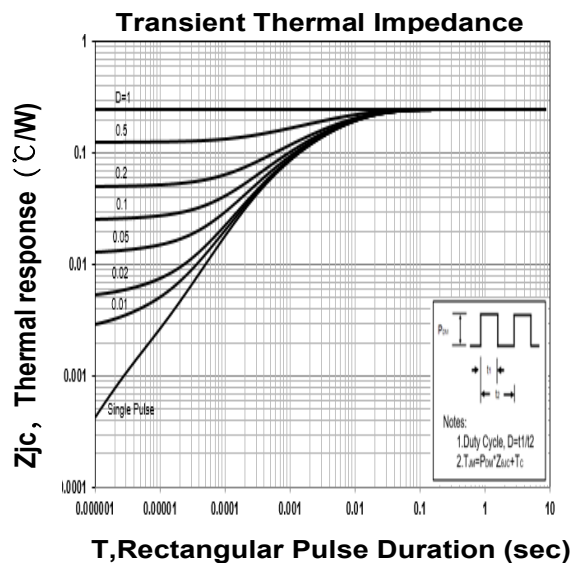
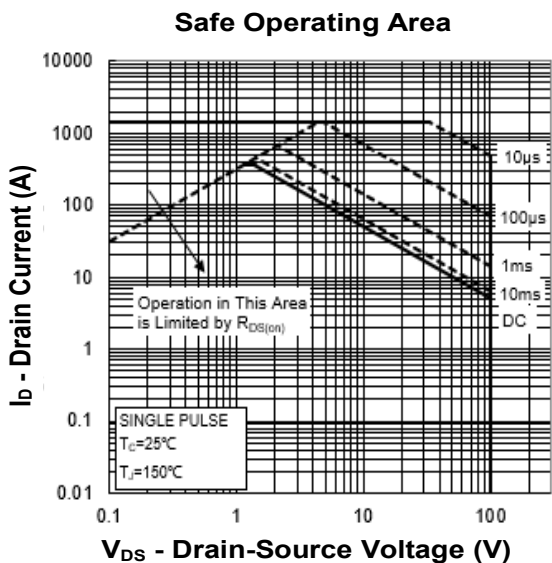
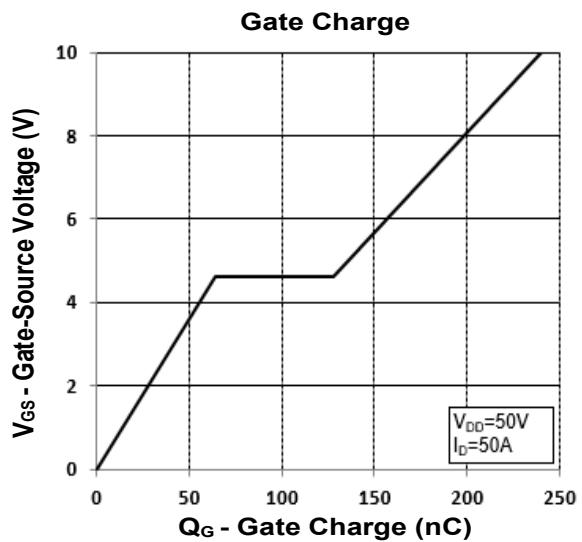
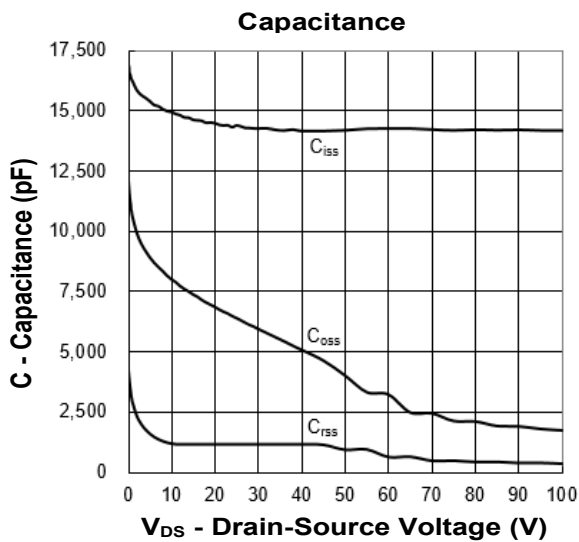
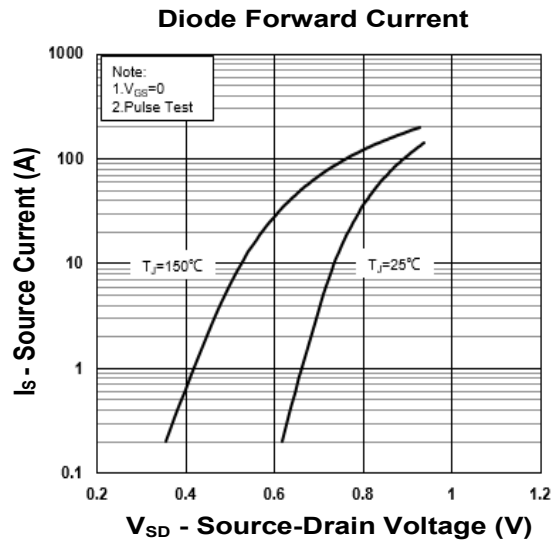
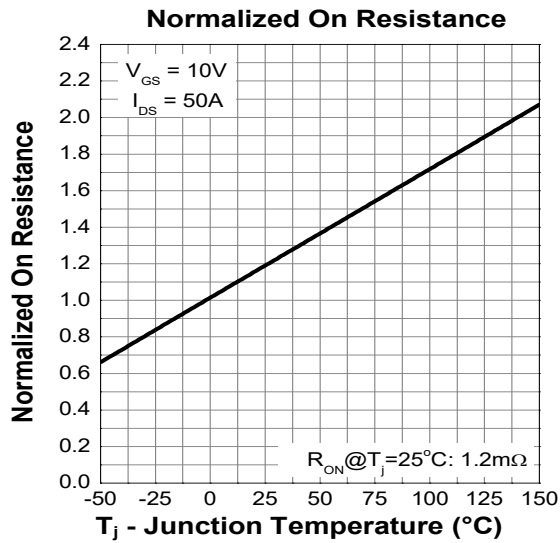
Diode Recovery Test Circuit & Waveforms



Typical Performance Characteristics

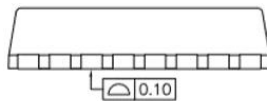
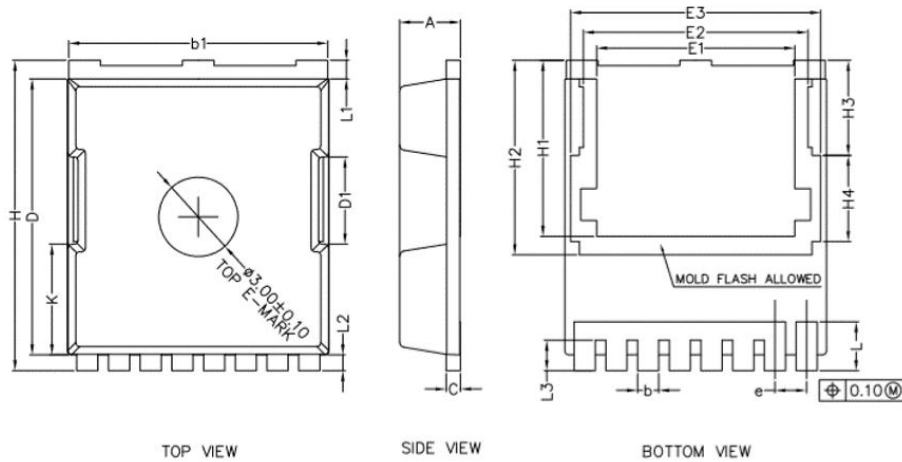


Typical Performance Characteristics



Package Dimensions

TOLL-8L Package



SIDE VIEW

SYMBOL	MIN	NOM	MAX
A	2.20	2.30	2.40
b	0.70	0.80	0.90
b_1	9.70	9.80	9.90
c	0.40	0.50	0.60
D	10.28	10.43	10.58
D_1	3.15	3.30	3.45
E	9.70	9.90	10.10
E_1	7.35	7.50	7.65
E_2	8.35	8.50	8.65
E_3	9.31	9.46	9.61
e	1.10	1.20	1.30
H	11.48	11.73	11.88
H_1	6.55	6.65	6.75
H_2	7.20	7.35	7.50
H_3	3.44	3.59	3.74
H_4	3.11	3.26	3.41
K	4.03	4.18	4.33
L	1.60	1.85	2.10
L_1	0.55	0.70	0.85
L_2	0.45	0.60	0.75
L_3	1.00	1.15	1.30

Revision History

Revision	Release	Remark
V1.0	2023/08/27	Initial Release

Disclaimer

The information given in this document describes the independent performance of the product, but similar performance is not guaranteed under other working conditions, and cannot be guaranteed when installed with other products or equipment. To achieve the required performance of the product in actual scenarios, the customer should conduct a complete application test to assess the functionality of the product.

Allpower assumes no responsibility for equipment failures result from using products at values that exceed the ratings, operating conditions, or other parameters listed in the product specifications.

The product described in this specification is not applicable for aerospace or other applications which requires high reliability. Customers using or selling these products for use in medical, life-saving, or life-sustaining applications do so at their own risk and agree to fully indemnify.

Due to product or technical improvements, the information described or contained herein may be changed without prior notice.